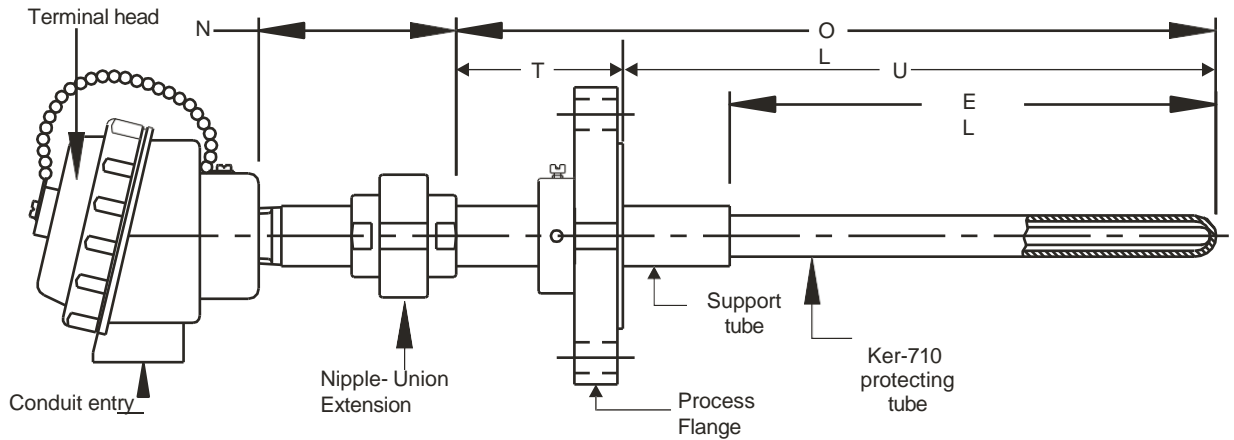


# THERMOCOUPLE ASSEMBLY WITH KER - 610/710 SINGLE PROTECTION TUBE (FLANGED)

## SSKE32-13A



### SPECIAL

- Assembly with ker 710/610 tube for high temperature application.
- Thermocouple element is available in different wire size.
- Enclosures in all material - Die cast Aluminium / Cast Iron / SS 304 / SS 316
- Enclosures in all categories (Weatherproof, IP-65 to IP-68), Flameproof GR. IIA IIB and Explosionproof, GR. IIA IIB IIC for H<sub>2</sub> service application.

□ Reference standard :- IEC - 584.2

### STANDARD PRODUCT

### APPLICATIONS:

- Temperature measurement of furnaces, combustion chambers, recuperators and Similar applications.

### HOW TO ORDER

Code	Thermocouple Type
MI	Mineral Insulated Metal Sheathed
BE	TC Element With Ceramic Insulators (Beaded Element)

1

Code	No. Of Elements
1	Simplex
2	Duplex
3	Triplex

2

Code	Accuracy
CL1	Class 1 as per IEC - 584.2
CL2	Class 2 as per IEC - 584.2

3

Code	Elements
K	Chromel-Alumel
R	Plat. 13% Rhod. - Plat.
S	Plat. 10% Rhod. - Plat.
B	Plat. 6% Rhod. - Plat. 30% Rhod.
N	Nicrosil - Nisil

4

Code	Hot Junction Type
G	Grounded Junction
UG	Ungrounded Junction

5

Code	Sheath Diameter For MI. Thermocouple	Code	Wire Diameter For Beaded Element
3	3.0 mm	24 A	24 AWG
4.5	4.5 mm	20 A	20 AWG
6	6.0 mm	18 A	18 AWG
8	8.0 mm	16 A	16 AWG
10	10.0 mm	14 A	14 AWG
12	12.0 mm	8 A	8 AWG

Or

Consult factory for other size.

6

- |                                  |   |
|----------------------------------|---|
| Thermocouple Type                | - Thermocouple Element With Ceramic Insulators (Beaded Element) |
| No of Elements                   | - Simplex   |
| Accuracy                         | - Class 2 as per IEC - 584.2                                    |
| Elements                         | - Plat. 13% Rhod. - Plat  |
| Hot Junction Type                | - Ungrounded Junction   |
| Wire Diameter for Beaded Element | - 24 AWG  |
| Element Sheath Material          | - None  |
| Terminal Head Type               | - Screwed type, weatherproof, IP-65 in die-cast Aluminium       |
| No. Of Conduit Entries           | - One   |
| Conduit Size                     | - 3/4" ET(F)  |
| Extension Type                   | - Head Only   |
| Support Tube                     | - SS 446  |
| Material Protecting Tube         | - Recrystallised Alumina  |
| Protecting Tube Size             | - 15x2.5 mm   |
| Flange Material                  | - ASTM A105 (CS)  |
| Flange Type/Size                 | - Adjustable Flange (1.5"150#RF)                                |
| Extension Length "T"             | - Not Applicable  |
| Overall/Insertion/Exposed Length | - OL=500/EL=300 mm  |
| Extension Length "N"             | - Not Applicable  |
| Option Description               | - S.C. cable gland in nickel plated brass                       |

# THERMOCOUPLE ASSEMBLY WITH KER - 610/710 SINGLE PROTECTION TUBE (FLANGED)

## SSKE32-13A

Code	Sheath Material
INC.6	Inconel 600
X	None

7

Code	Terminal Head Type
SWP	Screwed type, weatherproof, IP-65 in die-cast Aluminium
SFP	Screwed type, flamerproof Gr. IIA IIB in die-cast Aluminium
SEP	Screwed type, explosionproof Gr.IIC in die-cast Aluminium
JWP	Junction box, weatherproof, IP-65 in die-cast Aluminium
JFP	Junction box, flamerproof Gr. IIA IIB in die-cast Aluminium
JEP	Junction box, explosionproof Gr.IIC in die-cast Aluminium
BWP	Weatherproof Head, IP-65 in die-cast Aluminium with cover fitted with two screws.

8

Code	Overall/Insertion/Exposed Length
U/EL	Specify in mm.
OL/EL	Specify in mm.

1

Code	Extension Length "T"mm
T	Specify in mm.
X	Not Applicable

1

Code	Extension Length "N"mm
N	Specify in mm.
X	Not Applicable

1

Code	No. Of Conduit Entry/Entries
1	One
2	Two
	Other, Please Specify

9

Code	Conduit Entry Size
A	3/4" ET(F)
B	1/2"NPT(F)
C	3/4"NPT(F)
	Other, Please Specify

10

Code	Head Extension Type
X	Head Only
NU	Head With Nipple & Union

11

Code	Support Tube Material
INC.6	Inconel 600
INC.8	Incolloy 800
310	SS 310
446	SS 446

12

Code	Protecting Tube Material
KER-710	Recrystallised Alumina
KER-610	Pythagoras

13

Code	Protecting Tube Size
6	6x1.0 mm
8	8x1.5 mm
10	10x2.0 mm
12	12x2.0 mm
15	15x2.5 mm
20	20x2.5 mm
24	24x3.0 mm

14

Code	Flange Material
A105	ASTM A105 (CS)
F304	A182 F304
F316	A182 F316
	Consult factory for other material.

15

Code	Flange Type / Size
FF	Fixed Flange (Specify Size)
AF	Adjustable Flange (Specify Size)

2

Code	Option Description
0	None
3	Terminal head in SS 304
4	Terminal head in SS 316
5	Terminal head in Cast Iron
6	S.C. cable gland in nickel plated brass
7	D.C. cable gland in nickel plated brass
8	S.C. cable gland in SS 304
9	D.C. cable gland in SS 304
11	S.C. cable gland in SS 316
12	D.C. cable gland in SS 316
13	Head mounted temp. transmitter
14	S.S. base plate suitable for Temperature Transmitter mounting
15	Head Extension in SS 304.
16	Head Extension in SS 316.
20	Plug for conduit entry in Carbon Steel [ASTM A105]
21	Plug for conduit entry in SS 304
22	Plug for conduit entry in SS 316
23	Plug for conduit entry in Aluminium
PW	Five Point Factory Calibration Certificate
SX	SS Tag Plate

20

### Note :

1. When selecting option "PW", please also specify measuring temperature range. (For e.g. 0/300°C)

2. Explanations of Abbreviations used:  
 SC = Single Compression  
 DC = Double Compression  
 SS = Stainless Steel