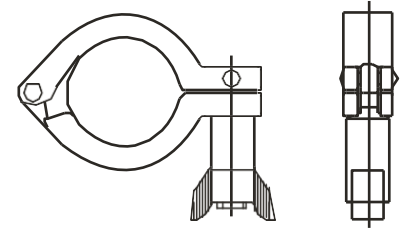
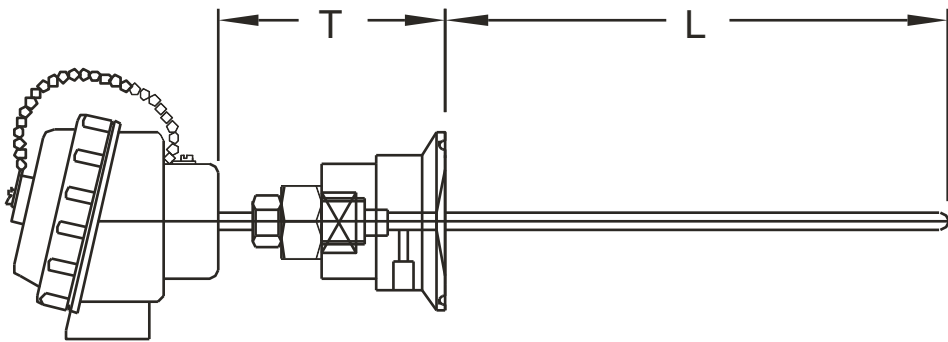


RTD ASSEMBLY WITH ADJUSTABLE TRI-CLOVER CONNECTION

SSKE31-12



TRICLAMP

SPECIAL

- Tri clamps are available in size of 1.5", 2", 2.5"
- Mounting is very easy & quick

□ Reference standard :- IEC - 751.

APPLICATIONS:

- Sanitary application, food industries etc.

HOW TO ORDER

Code	No of Element
1	Simplex
2	Duplex

1

Code	Element Type
Pt - 100	Pt - 100 RTD
Pt - 500	Pt - 500 RTD
Pt - 1000	Pt - 1000 RTD
Cu - 53	Cu - 53

2

Code	Range
FLM	-200°C till 449°C
CMC	450°C till 600°C

3

Code	Accuracy
A	Class 'A' Tolerance as per IEC - 751
B	Class 'B' Tolerance as per IEC - 751

4

Code	Wire Configuration
2W	2 Wire System
3W	3 Wire System
4W	4 Wire System

5

Code	Sheath Diameter
3	3.0 mm
3/2.8	3.0/ 2.8 mm*
6	6.0 mm*
6/ 5	6.0/ 5.0 mm*
8	8.0 mm
8/ 5	8.0/ 5.0 mm*

Consult factory for other diameter.
* RTD Element will be enclosed in Ø3.0 mm SS 316 sheath & Extended by Ø2.8 mm Mineral Insulated lead out cable.

6

STANDARD PRODUCT

- | | |
|------------------------------|---|
| No of element | - Simplex |
| Element type | - Pt - 100 RTD |
| Range | - -200°C till 449°C |
| Accuracy | - Class 'B' Tolerance as per IEC - 751 |
| Wire Configuration | - 3 Wire System |
| Sheath Diameter | - 6.0 mm |
| Sheath Material | - SS 316 |
| Terminal Head Type | - Screwed type, weatherproof, IP-65 in die-cast Aluminium |
| No. of Conduit Entry/Entries | - One |
| Conduit Entry Size | - 3/4" ET(F) |
| Junction Box Extension | - Adjustable Tri clamp connection |
| Type Tri clamp size | - 1.5" |
| Immersion Length "L"mm | - 300 mm. |
| Extension Length "T"mm | - 50 mm. |
| Option Description | - S.C. cable gland in nickel plated brass |

RTD ASSEMBLY WITH ADJUSTABLE TRI-CLOVER CONNECTION

SSKE31-12

Code	Sheath Material
316	SS 316

7

Code	Terminal Head Type
SWP	Screwed type, weatherproof, IP-65 in die-cast Aluminium
SFP	Screwed type, flamerproof Gr. IIA IIB in die-cast Aluminium
SEP	Screwed type, explosionproof Gr.IIC in die-cast Aluminium
HWP	Hinged type, weatherproof, IP-65 in die-cast Aluminium
JWP	Junction box, weatherproof, IP-65 in die-cast Aluminium
JFP	Junction box, flamerproof Gr. IIA IIB in die-cast Aluminium
JEP	Junction box, explosionproof Gr.IIC in die-cast Aluminium
BWP	Weatherproof Head, IP-65 in die-cast Aluminium with cover fitted with two screws.

8

Code	No. Of Conduit Entry/Entries
1	One
2	Two
	Other, Please Specify

9

Code	Conduit Entry Size
A	3/4" ET(F)
B	1/2"NPT(F)
C	3/4"NPT(F)
	Other, Please Specify

10

Code	Head Extension Type
ATC	Adjustable Tri clamp connection

11

Code	Tri clamp size
1.5"	1 1/2"
2"	2"
2.5"	2 1/2"
	Other, Please Specify

12

Code	Immersion Length "L"mm
	Specify in mm.

13

Code	Extension Length "T"mm
	Specify in mm.

14

Code	Option Description
0	None
3	Terminal head in SS 304
4	Terminal head in SS 316
5	Terminal head in Cast Iron
6	S.C. cable gland in nickel plated brass
7	D.C. cable gland in nickel plated brass
8	S.C. cable gland in SS 304
9	D.C. cable gland in SS 304
11	S.C. cable gland in SS 316
12	D.C. cable gland in SS 316
13	Head mounted temp. transmitter
14	S.S. base plate suitable for Temperature Transmitter mounting
20	Plug for conduit entry in Carbon Steel [ASTM A105]
21	Plug for conduit entry in SS 304
22	Plug for conduit entry in SS 316
23	Plug for conduit entry in Aluminium
PW	Five Point Factory Calibration Certificate
SX	SS Tag Plate

15

Note :

1. When selecting option "PW", please also specify measuring temperature range.(For e.g. 0/300°C)

2. Explanations of Abbreviations used:

SC = Single Compression

DC = Double Compression SS

= Stainless Steel

(Ordering Example)

SSKE31-12	1	(Pt-100)	FLM	B	3W	6	316	SWP	1	A	ATC	1.5"	250	50	6
	1	2	3	4	5	6	7	8	9		11	12	13	14	15