

MINIATURE PRESSURE SWITCH -OEM

SSKE49

APPLICATIONS

- Marine applications
- Textile machineries
- Power & steel plants
- Furnace applications
- Oil & Gas, Refineries
- OEM INDUSTRIES

FEATURES

- Fix differential
- Field adjustable set point
- Compact design
- 1 SPST contact



OEM PRESSURE SWITCH , SSKE49

DESCRIPTION

General

Design : BS 6134

Sensing element : Diaphragm /Piston

Repeatability : \pm 0.5 % Full Scale

Scale accuracy : \pm 1% Full Scale

Mounting : Bottom

Enclosure / equipment rating : IP 68

Maximum process temperature : 150 °C

Ambient temperature : -10...60 °C

Set point : Between 20 to 80 % F.S for better performance

High voltage strength : 0.5 to 0.6 KV between open contacts
and 2 KV between contact and body

Material of construction

Chamber : ASTM A105 - Ni plated, AISI 304 SS, AISI316SS

Sensing element : AIS 316 SS / Monel / Hastelloy - C276

Standard version :

Range : As per the selection table

Set point adjustment : External (Field adjustable Internal)

Switch :1 SPDT Snap action micro switch

Switch rating : 15A,250 VAC / 2A,24 VDC (Standard)

Process connection : 1/4" BSP (F) / 1/4" NPT (F)

Cable entry : PG 7, single compression

Range table :

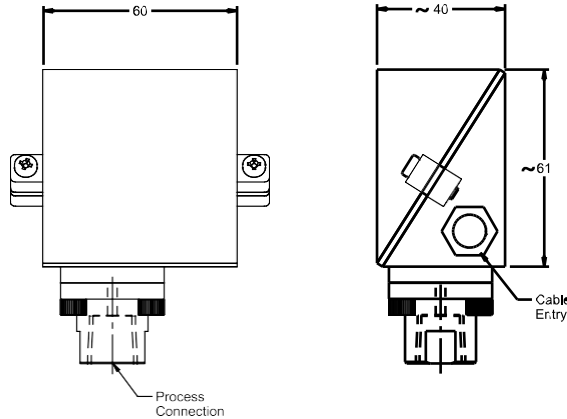
CODE	RANGE
	"bar"
001	-1...0
102	-1...+2
104	-1...+4
202	0.2...2
404	0.4...4
606	0.6...6
110	1...10
116	1...16
225	2...25
232	2...32
440	4...40
565	5...60

MINIATURE PRESSURE SWITCH -OEM

SSKE49

DIMENSIONAL DRAWING

Diaphragm



NOTES
1. Drawing not to scale. All dimensions are in mm.

ORDERING CODES

MODEL	SSKE49 Weatherproof OEM Pressure Switch,			SSKE 49
RANGE	XXX As per range table			
DIAPHRAGM	S02 AISI 316 SS			S02
BOTTOM CHAMBER	S02 AISI 316 SS			S02
SET-POINT ADJUSTMENT	E63 Internal			E63
CALIBRATION	E70 Falling pressure E80 Rising pressure			E80
PROCESS CONNECTION	P23 1/4" BSP (F) P3 1/4" BSP (M) P5 3/8" BSP (M) P7 1/2" BSP (M) P24 1/4" NPT (F) P4 1/4" NPT (M)			P24
OTHER OPTIONS	E16 Calibration Certificate E27 AISI 304 SS tag plate E65 Wall mounting bracket E66 2" Pipe mounting bracket & clamp E17 Material test certificate 3.1			E16/E27

Ordering Example : **SSKE49.110.S02.S02.E64.E80.N11A.1.Q1.P24/E16/E27**