

ELECTRIC CONTACT PRESSURE GAUGE - DOME STYLE

SSKE06

APPLICATIONS

- Pumps & motor controls
- Water treatment plants
- Hydraulic & pneumatics
- Chemical & petrochemicals
- Pharmaceutical industries
- HVAC & compressor industries
- Refrigeration

FEATURES

- All SS measuring system
- Socket-case, direct welded
- CE marked contacts
- Liquid filled versions



ELECTRIC CONTACT PRESSURE GAUGE - DOME, SSKE06

DESCRIPTION

General

Design : EN 837-1

Accuracy : $\pm 1.0\%$ of full scale (Gauge)
 $\pm 4\%$ of full scale (Contact)

Ambient temperature : -40...+65°C [without dampening liquid]
-20...+65°C [with dampening liquid]

Service temperature : 200°C max.

Pressure limits : Steady pressure up to FS value
Fluctuating pressure up to 90% of FS value

Weld joints : TIG argon arc welding

Protection class as per EN 837-1 : S1

Material of construction

Sensing element : Bourdon Tube
[<100 bar : C - type , >100 bar : Helical]

Case & Ring material : AISI 304 SS [Bayonet type]

Bourdon tube & Shank : AISI 316L SS / Monel
[Shank welded directly to case for rigidity in vibration field]

Movement mechanism : AISI 304 SS

Dial : Aluminum, black graduation on white background

Pointer : Micro-zero adjustable, aluminum, black powder coated

Gaskets, Blow off disc & filling plug : Neoprene / NBR

Window : Polycarbonate dome

Standard version

Dial size : DN100 / DN150

Range : -1 - 0 - 1,600 bar

Mounting pattern : Direct, Bottom connection

Process connection : ½" NPT (M) / ½" BSP (M)

Ingress protection : IP 65

Execution : Dry / Dry but fillable

Switch : Make contact (1NO)

Electrical termination : 4 pin PG 13.5 connector

Filled versions

Dielectric oil

Accuracy : $\pm 2.0\%$ of full scale

Gasket, Blow off disc & filling plug : NBR / Viton

Dampening liquid : Dielectric oil

Temperature effect

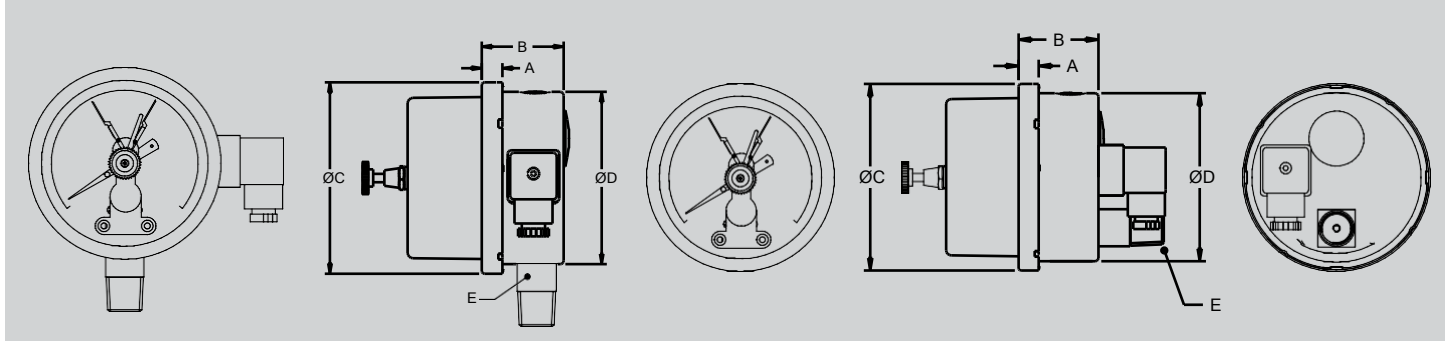
When temperature of the measuring system deviates from reference temperature (+20°C) :

max error $\pm 0.4\%$ / 10K of true scale value.

ELECTRIC CONTACT PRESSURE GAUGE - DOME STYLE

SSKE06

DIMENSIONAL DRAWING



NOTES

1. Drawing not to scale. All dimensions are in mm.
2. For other mounting details, Panel cut-out dimensions, kindly contact factory.

NS	A	B	ØC	ØD	E
100	12	48	111	100	□22
150	15	48	161	149	□22

ORDERING CODES

MODEL		SSKE06	
SSKE06 Electric contact pressure gauge - Dome style			
DIAL SIZE			
D4	4" / 100 mm	D6	6" / 150 mm
MOUNTING			
M1	Direct bottom	M6	Direct lower back
M2	Direct bottom with Back flange	M7	Direct lower back with front flange
		M8	Direct lower back with panel mounting clamp
CONNECTION			
P04	¼" NPT (M)	P08	½" NPT (M)
P03	¼" BSP (M)	P05	3/8" BSP (M)
		P20	M20 X 1.5 mm (M)
		P07	½" BSP (M)
CASE FILLING			
F1	Dry	F9	Dielectric oil filled
WETTED PARTS			
S03	AISI 316L SS	S05	MONEL
		S01	AISI 304 SS
INGRESS PROTECTION			
I1	IP 65	I6	IP 68
RANGE		0-10 bar	
0-10 bar Please mention range required with the measurement unit [SSKE offer in all types of National & International measurement units, e.g. kg/cm², psi, kPa, etc. with single or dual scales]			
ELECTRIC CONTACT TYPE [RATING - MAGNETIC CONTACTS : 45mA@230VAC, INDUCTIVE CONTACT : 8VAC]		N1	
N1	Magnetic Contact - 1NC	N2	Magnetic Contact - 1NO
N4	Magnetic Contact - 2NC	N5	Magnetic Contact - 2NO
N6	Inductive Contact - 1NC	N7	Inductive Contact - 1NO
N9	Inductive Contact - 2NC	N10	Inductive Contact - 2NO
N11	1 SPDT	N12	1 DPDT
		N3	Magnetic Contact - 1NC & 1NO
		N8	Inductive Contact - 1NC & 1NO
OPTIONAL EXTRAS		E16/E27	
E33	AISI 316 SS Case & Ring	E04	AISI 316 SS movement
E16	5-point calibration certificate	E17	Material test certificate 3.1
E27	AISI 304 SS tag plate	E32	Dial tag marking
		E14	Rubber parts, Viton
		E22	Tested to NACE standards
		E31	Custom designed dial

Ordering Example : SSKE06-D4.M1.P08.F2.S03.I1/0-10 bar/N1/E16/E27

SHREE SAMARTH KRUPA ENGINEERS

Contact : +91 8155865961, +919586682557

prakash@shree-samarthkrupa.com, www.shree-samarthkrupa.com