

PHENOLIC CASE SAFETY PRESSURE GAUGE SSKE04

APPLICATIONS

- Liquid & gaseous mediums
- Corrosive environments
- Oil & Gas applications
- Chemical & Petrochemical
- Food & Beverages
- Nuclear power plants

FEATURES

- Turret design
- Follows ASME B40.100
- Accuracy as per Grade 2A / $\pm 0.5\%$
- Dry / Fillable / Liquid filled



PHENOLIC CASE SAFETY PRESSURE GAUGE, SSKE04

DESCRIPTION

General

Design : ASME B40.100

Accuracy : Grade 2A ($\pm 0.5\%$ of full scale)

Ambient temperature : -40...+65°C [without dampening liquid]
-40...+65°C [with dampening liquid filled silicon oil]

Service temperature : 300°C max.

Pressure limits : Steady pressure up to FS value
Fluctuating pressure up to 90% of FS value

Short time 130% of FS value for range up to 1500 psi

Short time 115% of FS value for range above 1500 psi

Weld joints : TIG argon arc welding

Material of construction

Sensing element : Bourdon Tube

[<100 bar : C - type , >100 bar : Helical]

Case & Ring material : Phenolic [Screwed type]

Bourdon tube & Shank : AISI 316L SS / Monel

Movement mechanism : AISI 304 SS

Dial : Aluminum, black graduation on white background

Pointer : Micro-zero adjustable, aluminum, black powder coated

Gaskets & filling plug : Neoprene / NBR

Blow off disc : PP

Window : Shatterproof safety glass

Standard version

Dial size : 4.5"

Range : -15 - 0 - 23,200 psi

Mounting pattern : Direct Bottom

Process connection : 1/4" NPT (M) / 1/2" NPT (M)

Ingress protection : IP 65

Execution : Dry / Dry but fillable

Filled versions

Glycerin

Dampening liquid : Glycerin 99.7% / 80% / 60%
[Service temperature -20°C up to 65°C]

Silicon Oil

Gasket & filling plug : NBR / Viton

Dampening liquid : Silicon oil DC 200

[Service temperature -40°C up to 150°C]

Temperature effect

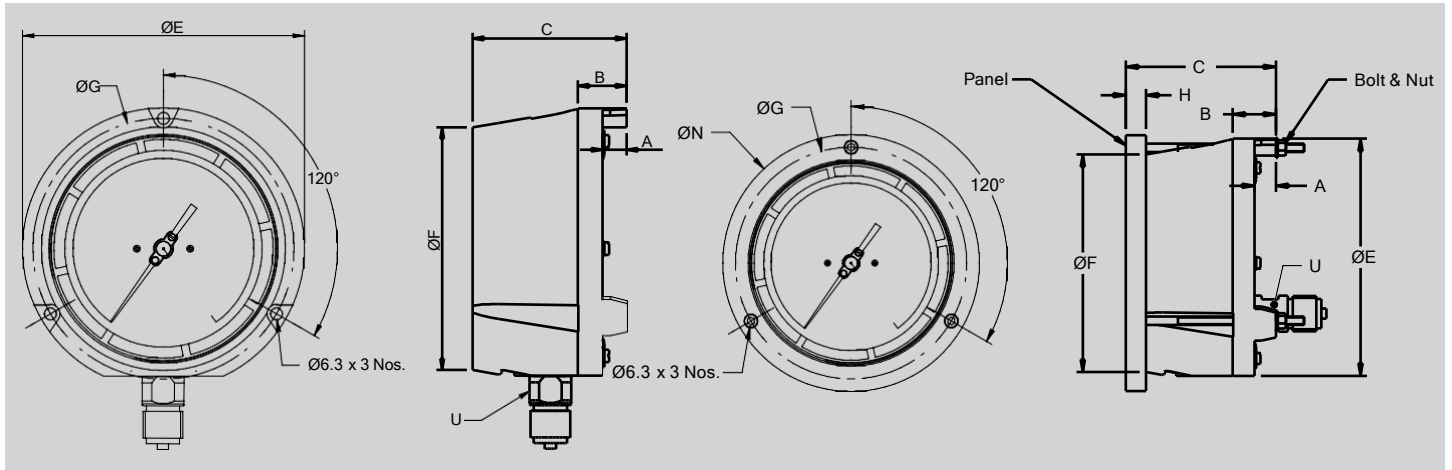
When temperature of the measuring system deviates from reference temperature (+20):

max $\pm 0.4\%$ / 10K of full scale value.

PHENOLIC CASE SAFETY PRESSURE GAUGE

SSKE04

DIMENSIONAL DRAWING



NS	A	B	C	ØE	ØF	G	H	ØN	U
115	12.5	26	82	149	129	137	12	152	A/F-17

NOTES

- Drawing not to scale. All dimensions are in mm.
- For other mounting details, Panel cut-out dimensions, kindly contact factory.

ORDERING CODES

MODEL	SSKE04 Phenolic case safety pressure gauge				SSKE04		
DIAL SIZE	D5	4.5" / 115 mm			D5		
MOUNTING	M1	Direct bottom	M2	Direct bottom with Back flange	M7	Direct lower back with front flange	M1
CONNECTION	P4	¼" NPT (M)	P6	3/8" NPT (M)	P8	½" NPT (M)	P8
	P3	¼" BSP (M)	P5	3/8" BSP (M)	P7	½" BSP (M)	
CASE FILLING	F1	Dry	F2	Dry but fillable	F3	Glycerin filled	F2
	F4	Silicon oil filled					
WETTED PARTS	S03	AISI 316L SS	M05	MONEL			S03
INGRESS PROTECTION	I1	IP 65	I3	IP 68			I1
RANGE	0-10 bar	Please mention range required with the measurement unit [SSKE offer in all types of National & International measurement units, e.g. kg/cm ² , psi, kPa, etc. with single or dual scales]				0-10 bar	
OPTIONAL EXTRAS	E33	AISI 316 SS case & ring	E43	Internal overload stop	E44	Internal Vacuum stop	E16/E27
	E04	AISI 316 SS movement	E05	Dampened movement	E06	Maximum Reading pointer	
	E10	Over range protection 1.5xFS	E12	Epoxy coating (Case & Ring)	E13	Receiver gauge	
	E16	5 - point calibration certificate	E17	Material test certificate 3.1	E22	Tested to NACE standards	
	E23	Cleaned for Oxygen service	E27	AISI 304 SS tag plate	E28	AISI 316 SS tag plate	
	E32	Dial tag marking					

Ordering Example : SSKE04-D5.M1.P8.F2.S03.I1/0-10 bar/E16/E27

SHREE SAMARTH KRUPA ENGINEERS

Contact : +91 8155865961, +919586682557

prakash@shree-samarthkrupa.com, www.shree-samarthkrupa.com