

STAINLESS STEEL SOLID FRONT SAFETY PRESSURE GAUGE

SSKE03

APPLICATIONS

- Liquid & gaseous mediums
- Corrosive environments
- Oil & Gas applications
- Chemical & Petrochemical
- Food & Beverages
- Nuclear power plants

FEATURES

- All stainless steel welded construction
- Follows IS 3624 / EN 837-1 / ASME B40.100
- Accuracy as per $\pm 1.0\%$ / CL 1.0 / Grade 1A
- Dry / Fillable / Liquid filled



SS SOLID FRONT SAFETY PRESSURE GAUGE, SSKE03

DESCRIPTION

General

Design : EN 837-1

Accuracy : $\pm 1.0\%$ of full scale

Ambient temperature : -40...+65°C [without dampening liquid]
-40...+65°C [with dampening liquid filled silicon oil]

Service temperature : 300°C max.

Pressure limits : Steady pressure up to FS value

Fluctuating pressure up to 90% of FS value

Short time 130% of FS value for range up to 100 bar

Short time 115% of FS value for range above 100 bar

Weld joints : TIG argon arc welding

Protection class as per EN 837-1 : S3

Material of construction

Sensing element : Bourdon Tube

[<100 bar : C - type , >100 bar : Helical]

Case & Ring material : AISI 304 SS [Bayonet type]

Bourdon tube & Shank : AISI 316L SS / Monel

[Shank welded directly to case for rigidity in vibration field]

Movement mechanism : AISI 304 SS

Dial : Aluminum, black graduation on white background

Pointer : Micro-zero adjustable, aluminum, black powder coated

Gaskets & filling plug : Neoprene / NBR

Blow off disc : AISI 304 SS

Window : Shatterproof safety glass

Standard version

Dial size : 100 mm / 150 mm

Range : -1 - 0 - 1,600 bar

Mounting pattern : Direct Bottom

Process connection : ½" NPT (M) / ½" BSP (M)

Ingress protection : IP 65

Execution : Dry / Dry but fillable

Filled versions

Glycerin

Window : Shatterproof safety glass

Dampening liquid : Glycerin 99.7% / 80% / 60%

[Service temperature -20°C up to 65°C]

Silicon Oil

Window : Shatterproof safety glass

Gasket & filling plug : NBR / Viton

Dampening liquid : Silicon oil DC 200

[Service temperature -40°C up to 150°C]

Temperature effect

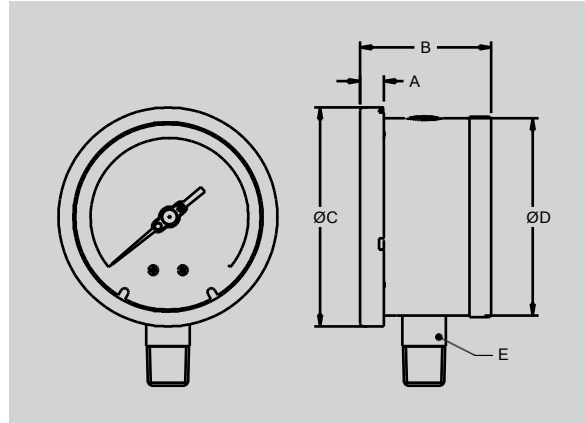
When temperature of the measuring system deviates from reference temperature (+20):

max $\pm 0.4\%$ / 10K of full scale value.

STAINLESS STEEL SOLID FRONT SAFETY PRESSURE GAUGE

SSKE03

DIMENSIONAL DRAWING



NS	A	B	ØC	ØD	E
100	12	66.5	111	100	□22
150	15	68.5	161	149	□22

NOTES

1. Drawing not to scale. All dimensions are in mm.
2. For other mounting details, Panel cut-out dimensions, kindly contact factory.

ORDERING CODES

MODEL				SSKE03
SSKE03 Stainless steel solid front safety pressure gauge				
DIAL SIZE				
D4	4" / 100 mm	D6	6" / 150 mm	
MOUNTING				
M1	Direct bottom	M2	Direct bottom with Back flange	
		M7	Direct lower back with front flange	
CONNECTION				
P4	¼" NPT (M)	P6	3/8" NPT (M)	
P3	¼" BSP (M)	P5	3/8" BSP (M)	
		P8	½" NPT (M)	
		P7	½" BSP (M)	
CASE FILLING				
F1	Dry	F2	Dry but fillable	
F4	Silicon oil filled	F3 Glycerin filled		
WETTED PARTS				
S03	AISI 316L SS	S05	MONEL	
INGRESS PROTECTION				
I1	IP 65	I3	IP 68	
RANGE				
0-10 bar Please mention range required with the measurement unit [SSKE offer in all types of National & International measurement units, e.g. kg/cm ² , psi, kPa, etc. with single or dual scales]				
OPTIONAL EXTRAS				
E33	AISI 316 SS case & ring	E43	Internal overload stop	
E04	AISI 316 SS movement	E05	Dampened movement	
E10	Over range protection 1.5xFS	E12	Epoxy coating (Case & Ring)	
E16	5 - point calibration certificate	E17	Material test certificate 3.1	
E23	Cleaned for Oxygen service	E26	Accuracy ±0.5%	
E28	AISI 316 SS tag plate	E46	External zero adjustment	
		E44	Internal Vacuum stop	
		E06	Maximum Reading pointer	
		E13	Receiver gauge	
		E22	Tested to NACE standards	
		E27	AISI 304 SS tag plate	
		E32	Dial tag marking	

Ordering Example : SSKE03-D4.M1.P8.F2.S03.I1/0-10 bar/E16/E27

SHREE SAMARTH KRUPA ENGINEERS

Contact : +91 8155865961, +919586682557

prakash@shree-samarthkrupa.com, www.shree-samarthkrupa.com