

# LEVEL GAUGES - TOP MOUNTED

## SSKE38

### APPLICATIONS

- Water Treatment plant
- Hydro Pneumatic Tank
- Power Plant

### FEATURES

- Top Mounted
- High temperature
- Adjustable Differential Version
- Process connection-Flange and Threaded Type
- Multi Point switching



## DESCRIPTION

### General

**Type :** Top Mounted  
**Max Operating Pressure :** 20 bar  
**Max Operating Temperature :** Max. 100°C  
**Orientation :** Top  
**Process connection type :** Threaded / Flanged

### Material of construction

**Process Connection Material :** AISI 316 SS  
**Float Material :** Magnetic Float, AISI 316 SS , 52 mm,  
**Encloser :** Pressure Die Casting Aluminium, IP65

### LEVEL SWITCH TOP MOUNTED- SSKE38

#### Standard version : TOP MOUNTED

**Cable Entry :** 3/4" ET ( F ) ,Single Compression Gland

**Process connection :** Threaded /Standard Flange,

**Switch Type :** Reed switch (SPDT /SPST )

**Switch Rating :** 0.5A / 250 VAC

**Switch Differential :** Fixed 10 mm,

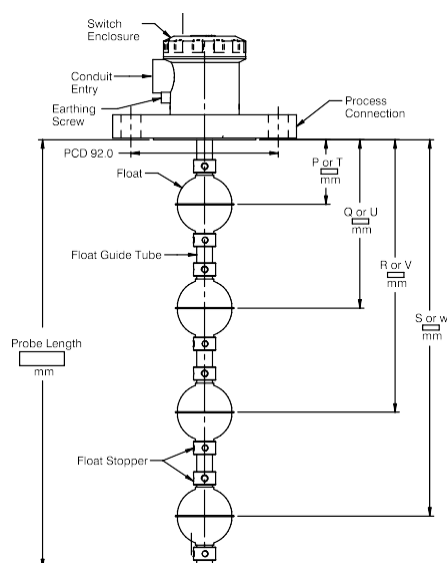
**Multi Point switching:**1 / 2 / 3 / 4 Nos- NO / NC

**Probe Length :** As per customer requirement ,

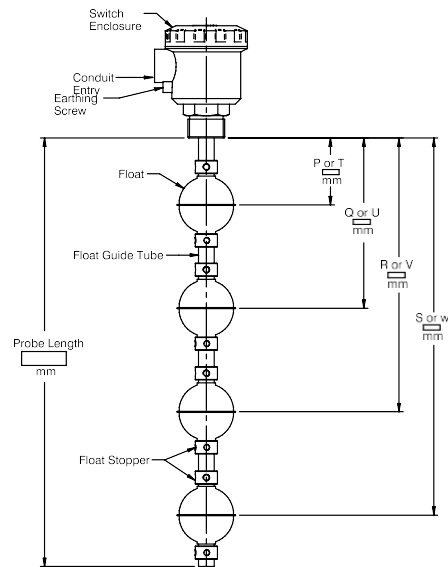
**Specific Gravity:** 0.7 depending on float material and Dimension,

### DIMENSIONAL DRAWING

1 ( Flange Connection )



2 (Threaded Connection)



NOTES  
 1. Drawing not to scale. All dimensions are in mm.

# LEVEL GAUGES - TOP MOUNTED

## SSKE38

MODEL : SSKE38

SSKE38

### Process Connection Type

01 - Flange Connection, 02- Threaded Connection ,

01

### ENCLOSER

LWP Aluminium Die Cast LFP Flame Proof IP 68, Gr IIA, IIB

LW

### NO OF SWITCH

1 1 SWITCH 2 2 SWITCHS 3 3 SWITCHS 4 4 SWITCHS 5 5 SWITCHS

P 1

### SWITCHING ACTION & POINTS

1NO 2NO 3NO 4NO 5NO 1NC 2NC 3NC 4NC 5NC

1 NO

### INSERTION DEPTH

XXX Insertion length is as per requirement

XXX

### WETTED PARTS /FLOAT

S06 SS316 S15 SS WITH PTFE COATED

S06

### PROCESS CONNECTION

P47 2" NPT (M) P49 2" BSP (M) XXX Standard Flanges

P47

### OTHER OPTIONS

E24 Performance test certificate Tag plate, AISI 316 SS E17 Material test certificate 3.1 E27 Tag plate, AISI 304 SS  
E28 Hydro test certificate E69 Cable gland, double comp. brass E70 Cable gland, double comp. SS

E24

Ordering Example : SSKE38.01.-